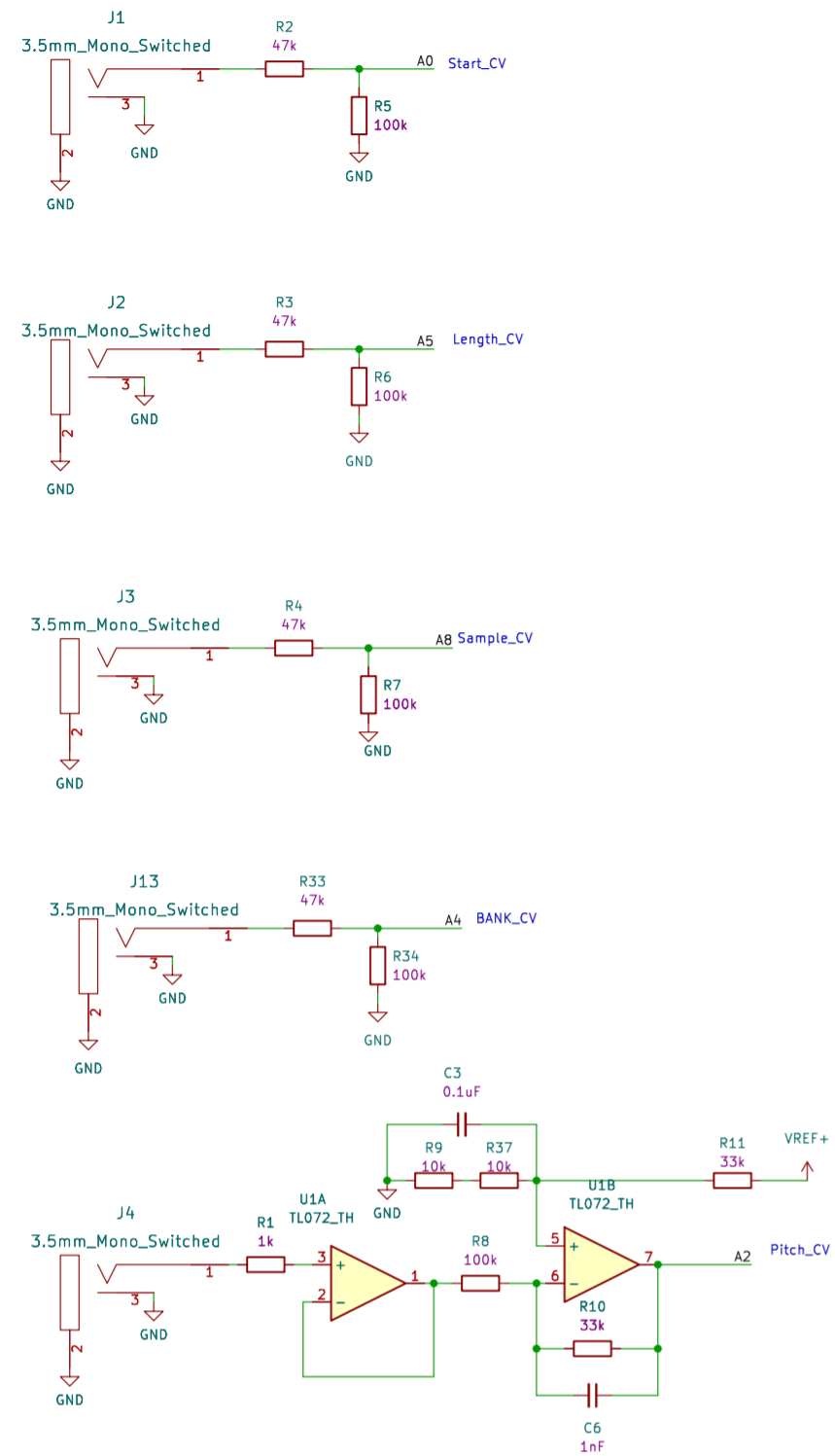
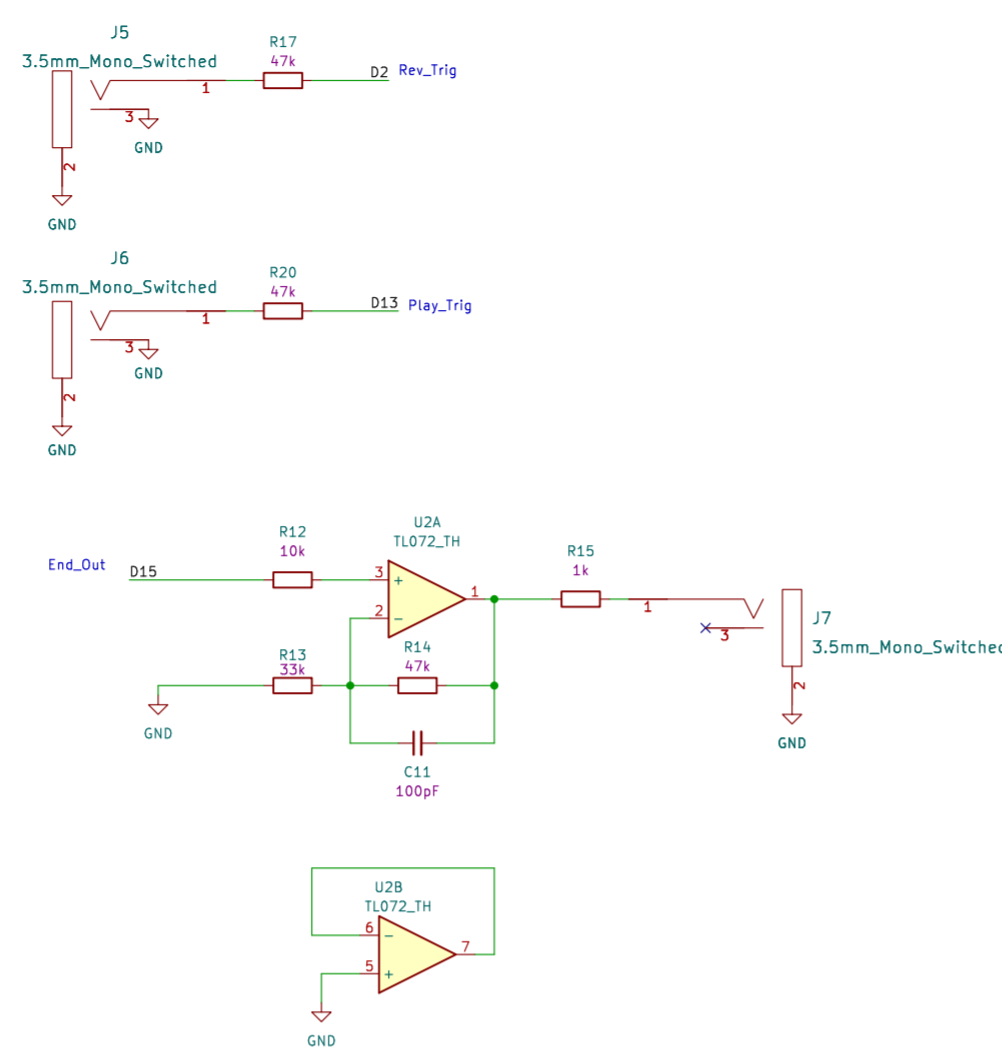


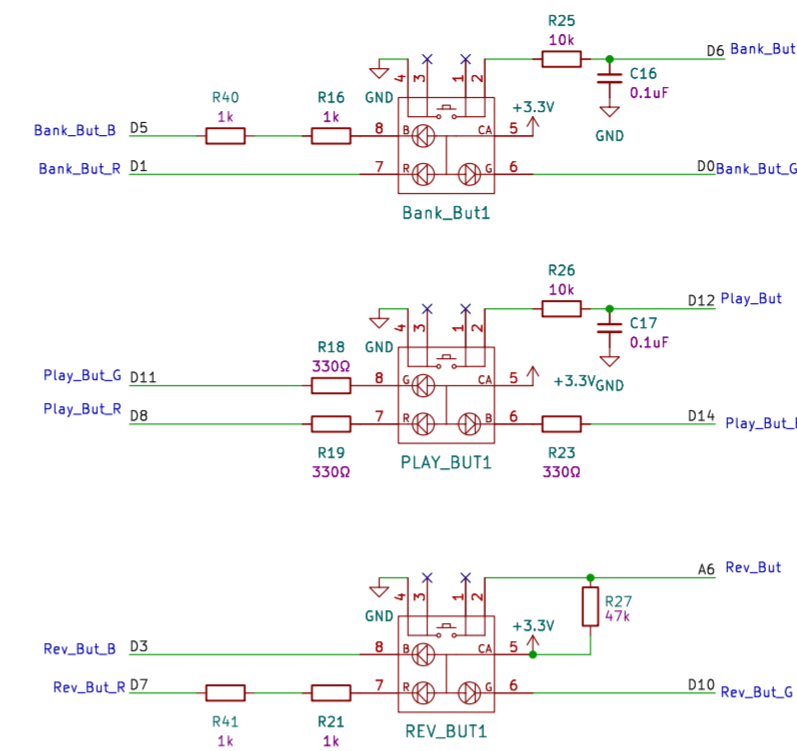
## Analog Inputs



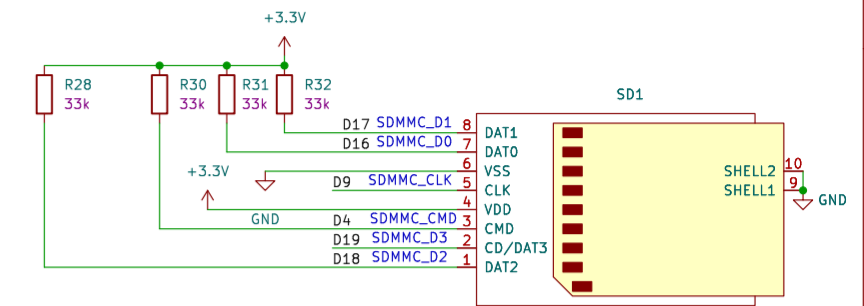
## Digital Ins/Outs



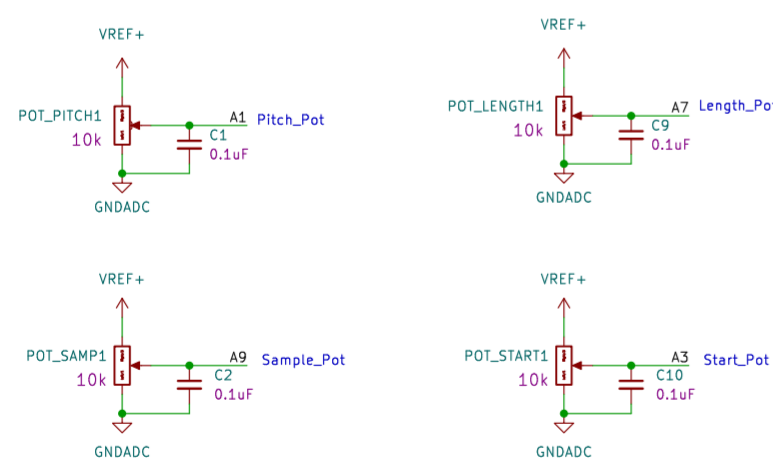
## Buttons/Switches



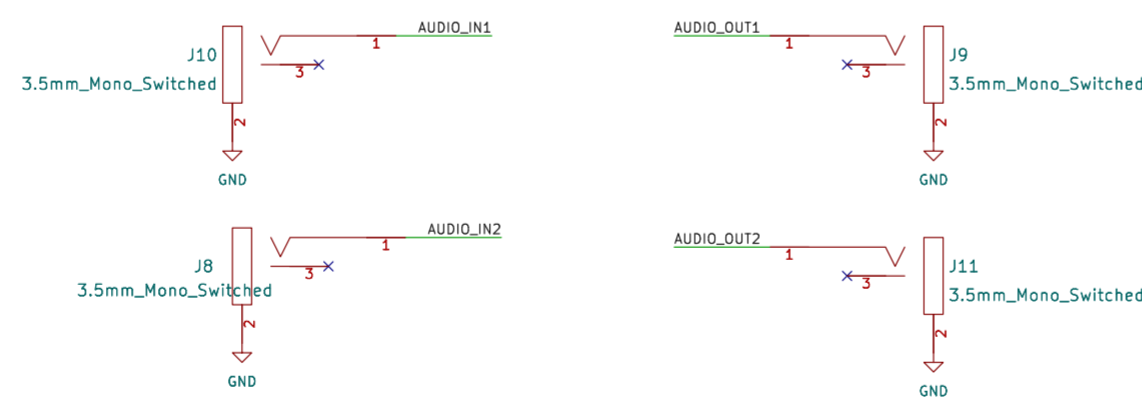
## SD Card



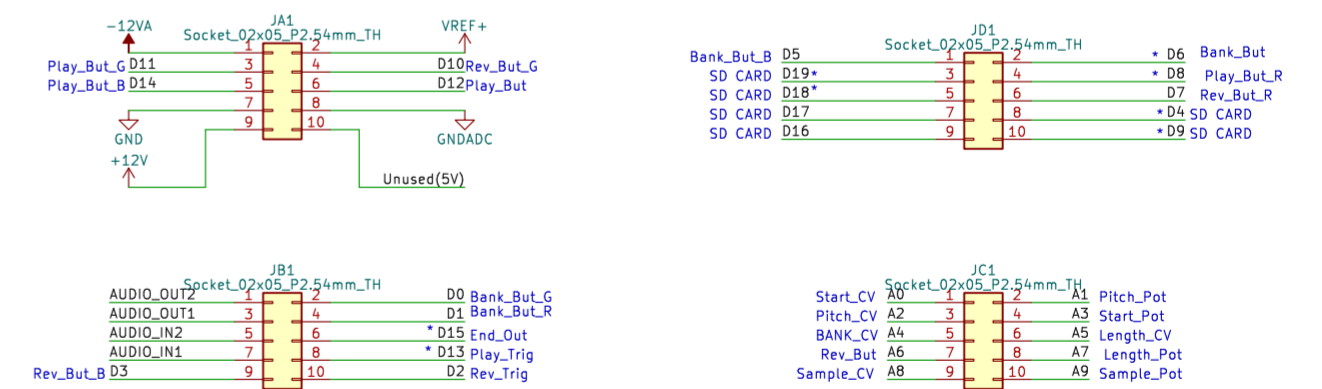
## Pots



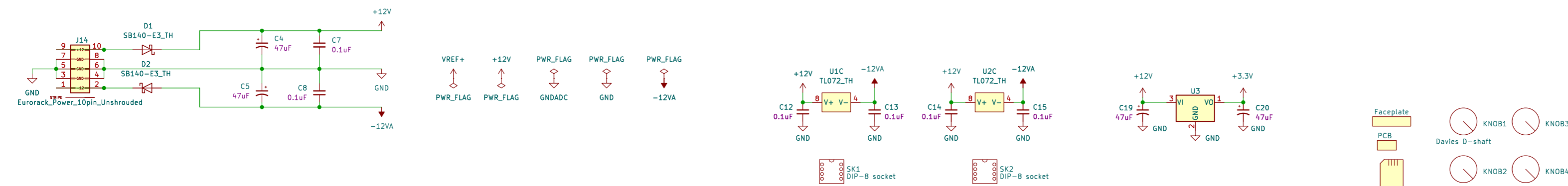
## Audio



## Headers



## POWER



## 4ms Sampler Kit

Sheet: /  
 File: Kit-Trig-Sampler.kicad\_sch  
**Title:**  
 Size: A2 Date:  
 KiCad E.D.A. kicad 7.0.2-0 Id: 1/1